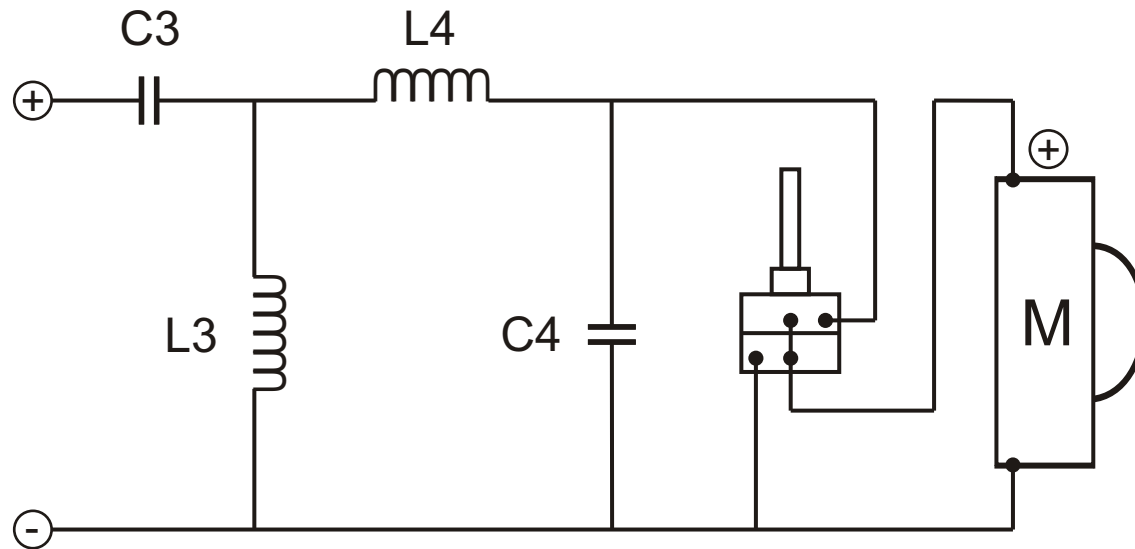
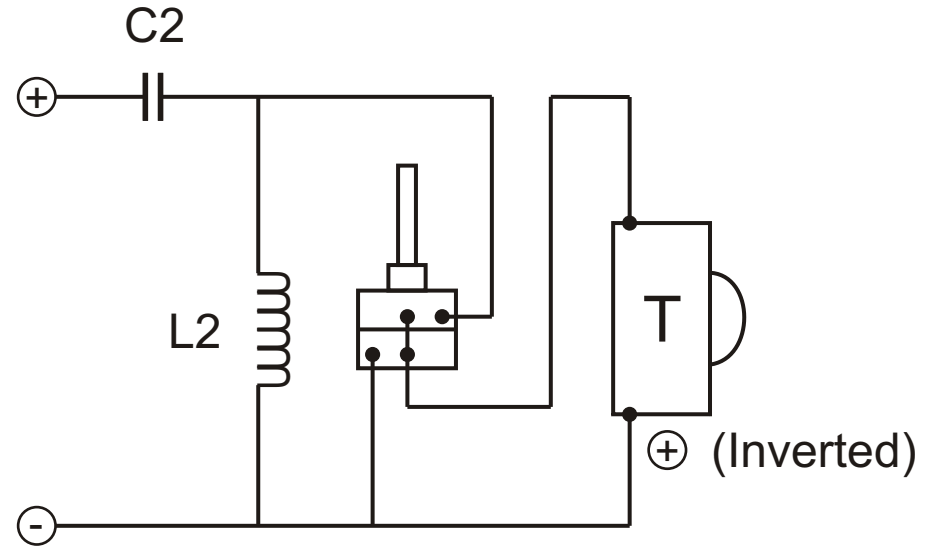
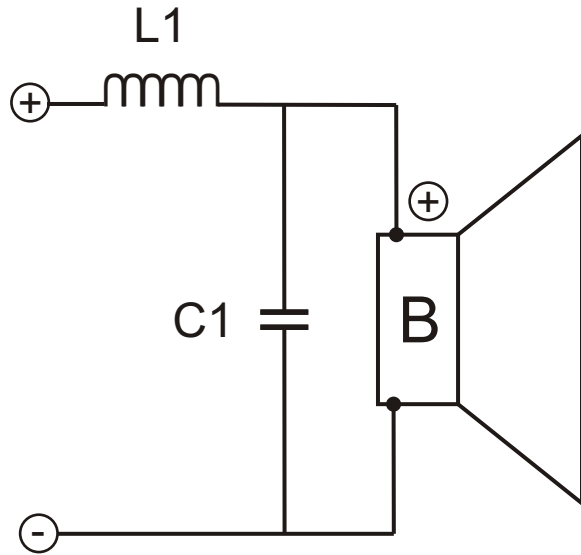


# Yamaha NS-1000M - Crossover fitted as standard

Simplified into individual filter arrangements

Component labels match Yamaha Drg and PCB marking



## Nominal Values

C1 94uf

C2 2.7uf

C3 21uf

C4 3.5uf

L1 5mH

L2 0.3mH

L3 2.3mH

L4 0.45mH

## Replacement Parts Used

- C1 (94uf)  $47 + 47 = 94$  Mundorf ECap70 Plain Bipolar Electrolytics  
Measured 95.4 & 95.7 for Left and Right boards.
- C2 (2.7uf) 2.7 Mundorf Supreme Polypropylene  
Measured 2.71 & 2.71 for L&R boards.
- C3 (21uf)  $8 + 6.8 + 6.8 = 21.6$  Ansar Supersound Polypropylene  
Measured 21.29 & 21.24 for L&R boards.
- C4 (3.5uf)  $1.5 + 1 + 1 = 3.5$  Ansar Supersound Polypropylene  
Measured 3.48 & 3.48 for L&R boards.

Mundorf Parts from: [www.hificollective.co.uk](http://www.hificollective.co.uk)

Ansar Supersound from: [www.cricklewoodelectronics.com](http://www.cricklewoodelectronics.com)

## Stock Parts Measured

Position	Stated	Left X-Over	Right X-Over
C1	94uf (2x 47uf)	a 49.30uf (98.15) b 48.85uf	a 49.70uf (102.4) b 52.70uf
C2	2.7uf	2.85uf	2.87uf
C3	21uf (6x 3.5uf)	22.5uf	22.1uf
C4	3.5uf	3.80uf	4.06uf
L1	5mH	4.82mH 0.399 ohm	4.74mH 0.395 ohm
L2	0.3mH	0.302mH 0.099 ohm	0.305mH 0.101 ohm
L3	2.3mH	2.310mH 0.369 ohm	2.310mH 0.369 ohm
L4	0.45mH	0.440mH 0.137 ohm	0.438mH 0.137 ohm