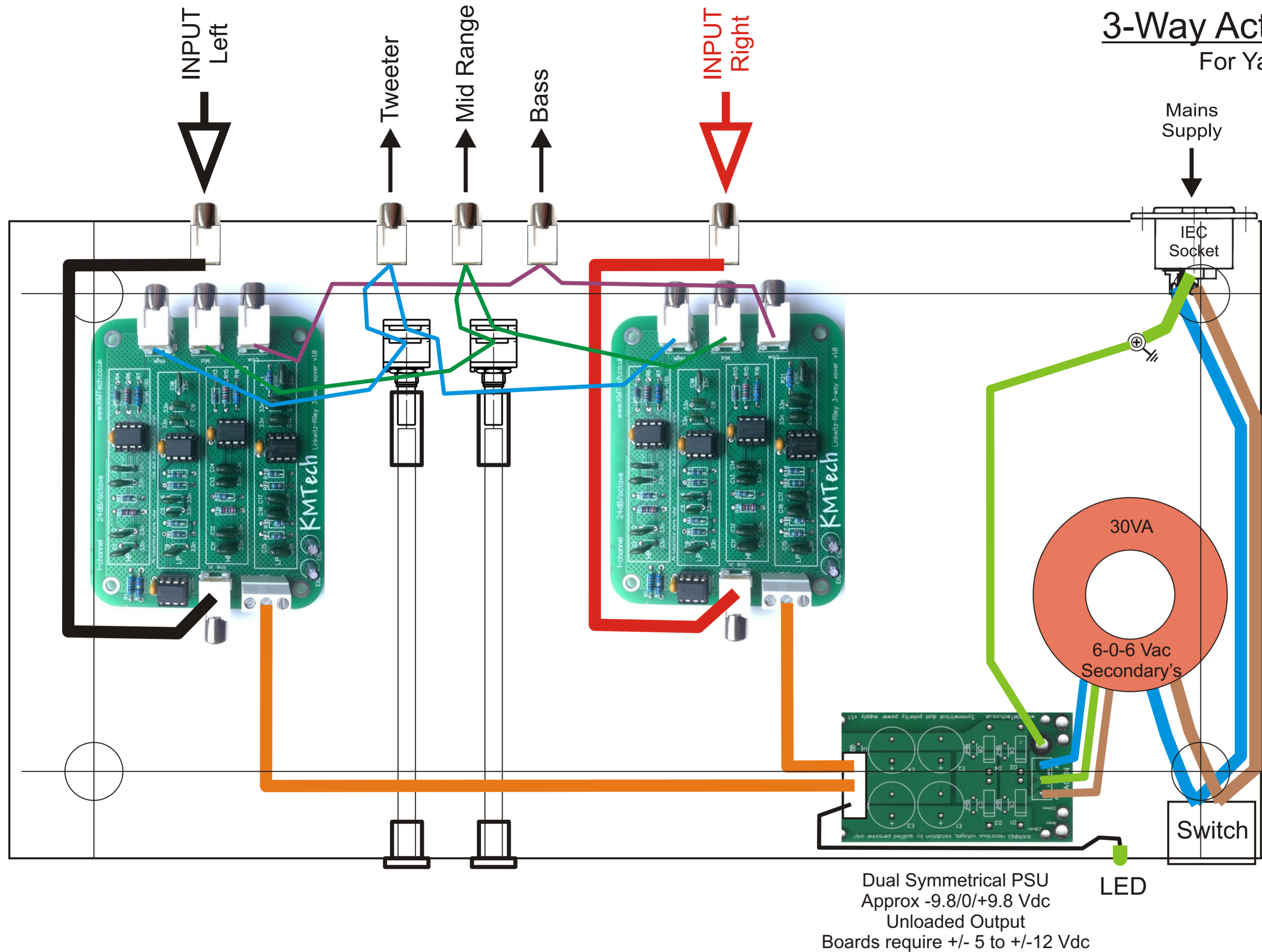


3-Way Active Crossover Layout

For Yamaha NS-1000M Loudspeakers



Case:
1U (44.5mm) Tall
432mm Wide
250mm Deep

NOTES:
Transformer
Secondaries measured
6.7 - 0 - 6.7 Vac unloaded.

Passive Crossover Frequencies
Twt/Mid 6000Hz
Mid/Bass 500Hz
Active used: 6090Hz & 501Hz
(Closest achievable using
stock resistor values)

Linkwitz Riley
24dB/Octave filters

PCB Mtd RCA Sockets
will not be used

Dual Symmetrical PSU
Approx -9.8V/+9.8Vdc
Unloaded Output
Boards require +/- 5 to +/-12Vdc



