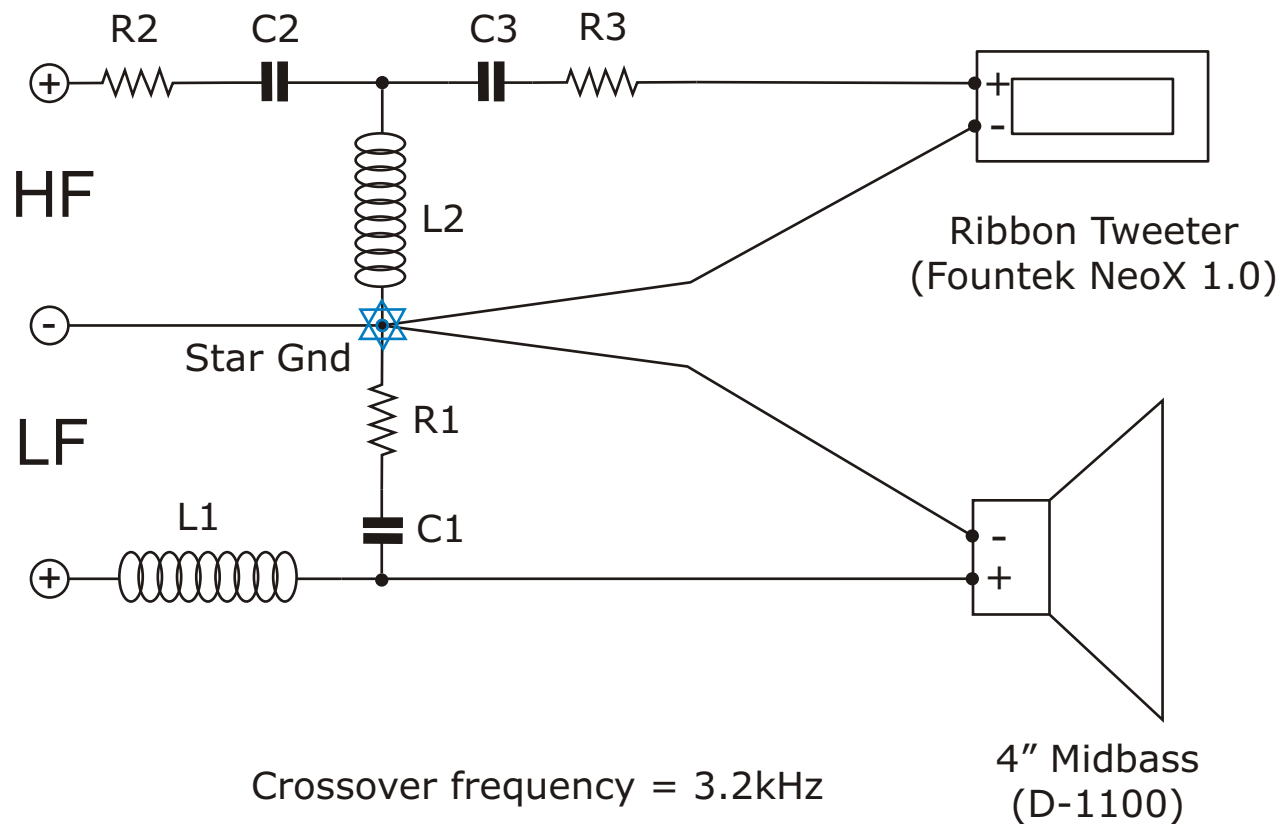


Modified Crossover Schematic and Upgrade parts List for QUAD S-1 Bookshelf Speaker



- R1 = 1R5 Mills MRA12 12w 1%
- R2 = 2R2 Mills MRA12 12w 1%
- R3 = 15R Mills MRA12 12w 1%

- C1 = 10uF Ansar Supersound 5% 450v PP
- C2 = 4.7uF Ansar Supersound 5% 450v PP
- C3 = 6.8uf Ansar Supersound 5% 450v PP

- L1 = 1.0 mH/0.25 ohm Jantzen Air Core #000-0018 Wound back to 0.95mH/0.20 ohm
- L2 = 0.33 mH/0.39 ohm Jantzen Air Core #000-1835 wound back to 0.28mH/0.33 ohm